

OLYMPUS[®]

Your Vision, Our Future

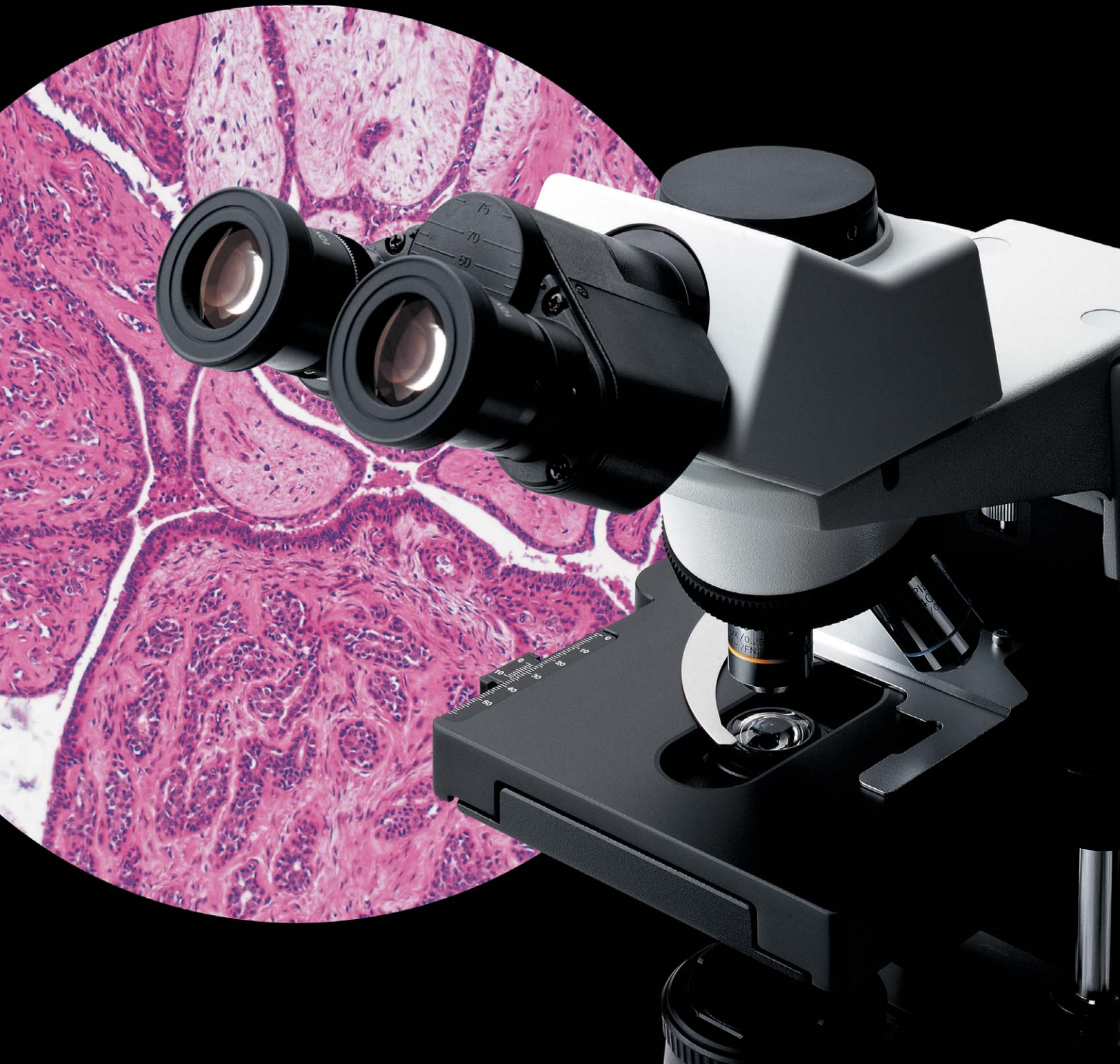
Biological Microscope

CX31

CX2 Series

UIS2
World-leading optics

New standards of sharpness, clarity and flatness

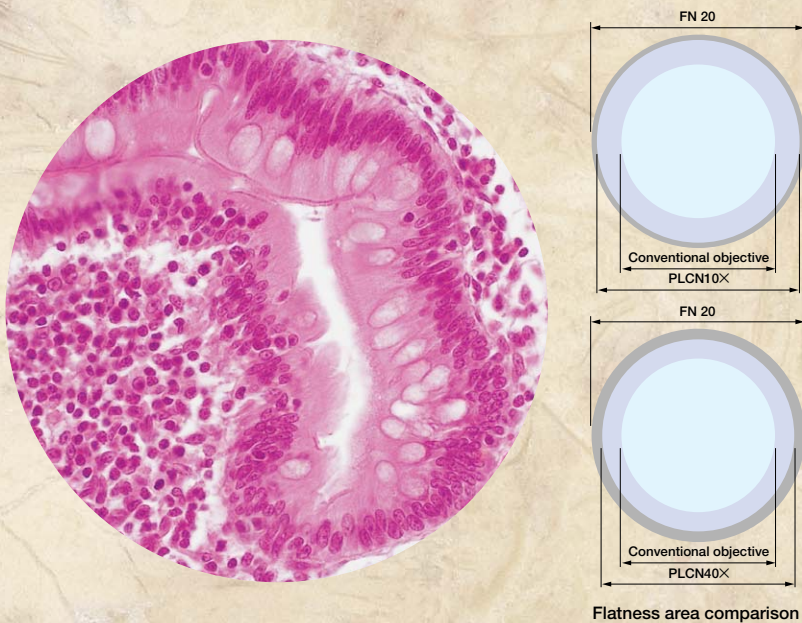


Advanced optical performance with

Incorporating the UIS2 infinity optics, the Olympus CX31 microscope inherits the outstanding worldwide reputation gained by its CX2 predecessor in different medical and educational fields. As well as advanced optical performance, the CX31 offers improved ease of use and excellent cost-efficiency.

Outstanding flat images from PLCN objectives

The PLCN series of UIS2 objectives improves flatness dramatically, producing sharp, clear images right up to the edge of the field of view. Ideal for the 10x and 40x objectives so frequently used for inspection work.



Flatness area comparison

Bright, even observation images

The illumination system employs a high intensity 6 V, 30 W halogen lamp for bright images. The aperture iris diaphragm with built-in condenser and standard field stop provides bright and even illumination at all levels of magnification.

Rigid, durable construction for high performance and long service life

Construction quality is excellent throughout, with objectives, eyepiece, observation tube, revolving nosepiece, highly reliable rackless stage and other components all fixed firmly to the body — so there's nothing to come loose or fall off when the microscope is being transported. The rackless stage is employed, and since the X-axis guide does not protrude, both transportation and operation are performed easily and safely.

Anti-fungus treatment

The treatment applied to the observation tubes, eyepieces and objectives, protects quality of optical parts even in high humidity regions.



h excellent cost-efficiency.



UIS2 eyepiece

Provides wide field of view (FN 20) and allows easy observation with eyeglasses.

Wide selection of observation tube

Three types of observation tube (binocular, trinocular and tilting binocular) are available according to users' applications.

Quadruple inward-facing revolving nosepiece

Complies with a wide range of magnifications, allows unrestricted use of the space in front of the objectives and makes it easy to confirm observation magnifications.

Coarse upper limit stopper

Locks the upper position of the stage, preventing contact between the objective and the specimen in high magnification observations.

UIS2 objectives

4x, 10x, 40x and 100x PLCN objectives, providing outstanding image flatness.

Rackless stage

Rack-free stage with no side protrusions. Low-positioned control knob allows smooth and comfortable specimen movement. Scale gradations are in white lettering on a black background.

Light intensity adjustment

Continuous light adjustment is possible.

Abbe condenser

An Abbe condenser, with NA 1.25 and built-in aperture diaphragm, provides the appropriate diaphragm setting to different specimens and magnifications.

Field stop

Frame integrated, with ability to accept a $\varnothing 45$ mm filter.

Coaxial coarse/fine focusing knob

The coaxial coarse/fine focusing knob allows each operator to adjust the torque for coarse focusing operations. Focusing is smooth and easy, with the user's hands placed on the desk.

Stage handle with tactile grips

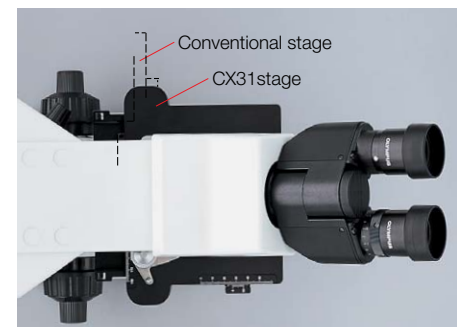
Tactile grips are fitted to the X and Y stage controls to provide a "light touch" stage movement.

Highly rigid frame

Extra rigid frame withstands frequent use and repositioning.

Hand grips for easy portability

Convenient hand grips at the front and back of the frame make it easy to carry the microscope.

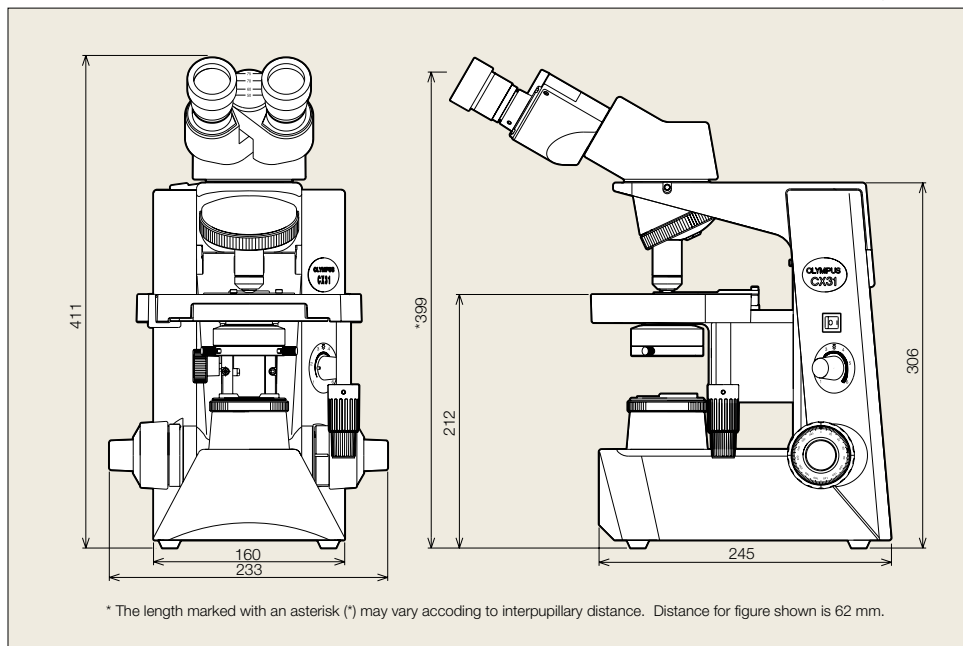


Specifications

Item	CX31			
Optical system	UIS2 (Universal Infinity-corrected) optical system			
Illumination	Built-in transmitted Koehler illuminator 6 V 30 W halogen bulb AC100-120V/220-240V 0.85/0.45A 50/60Hz			
Focusing	<ul style="list-style-type: none"> •Stage height movement by roller guide (rack & pinion) •Stroke per rotation: 36.8 mm •Full stroke range: 25 mm •Upper limit stopped by simplified pre-focusing dial •Tension adjustment on coarse focus adjustment knob 			
Revolving nosepiece	Fixed quadruple nosepiece with inward tilt			
Observation tube	Type	Binocular	Trinocular	Tilting binocular
	Field number	20	20	18
	Tube inclination	30°	30°	30°-60°
	Interpupillary distance adjustment range	48-75 mm	48-75 mm	48-75 mm
	Light path selector	None	None (BI 50 %, Video/Photo 50 % fixed)	None
Stage	Size	188 (W) x 134 (D) mm		
	Movement range	76 mm (X-direction) x 50 mm (Y-direction)		
	Specimen holder	Double slide holder		
	Rubber grip	Equipped as standard		
Condenser	Type	Abbe condenser, with built-in daylight filter		
	NA	1.25 with oil immersion		
	Aperture iris diaphragm	Built-in		
Dimensions & weight	233 (W) x 411 (H) x 367.5 (D) mm, approximately 8 kg (approximately 17.6 lb.)			

Dimensions

(Unit: mm)



Objectives, Plan Achromat

PLCN	Numerical Aperture (NA)	Working Distance (W.D.: mm)
4X	0.10	18.5
10X	0.25	10.6
40X	0.65	0.6
100XO	1.25	0.13

Eyepiece

	Field Number (FN)
10X (Binocular/Trinocular)	20
10X (Tilting binocular)	18

- OLYMPUS CORPORATION is ISO14001 certified.
- OLYMPUS CORPORATION is FM553994/ISO9001 certified.
- OLYMPUS CORPORATION is MD540624/ISO13485 certified.
- Illumination devices for microscope have suggested lifetimes. Periodic inspections are required. Please visit our web site for details.
- All company and product names are registered trademarks and/or trademarks of their respective owners.
- Specifications and appearances are subject to change without any notice or obligation on the part of the manufacturer.

OLYMPUS[®]

OLYMPUS CORPORATION
Shinjuku Monolith, 2-3-1 Nishi-Shinjuku, Shinjuku-ku, Tokyo 163-0914, Japan
OLYMPUS EUROPA SE & CO. KG
Wendenstrasse 14-18, 20097 Hamburg, Germany
OLYMPUS SCIENTIFIC SOLUTIONS AMERICAS CORP.
48 Woerd Avenue, Waltham, MA 02453, U.S.A.
OLYMPUS SINGAPORE PTE LTD.
491B River Valley Road, #12-01/04 Valley Point Office Tower, Singapore 248373
OLYMPUS AUSTRALIA PTY. LTD.
3 Acacia Place, Notting Hill VIC 3168, Australia

OLYMPUS (CHINA) CO., LTD.
A8F, Ping An International Financial Center, No. 1-3, Xinyuan South Road,
Chaoyang District, Beijing, 100027 P.R.C.
OLYMPUS KOREA CO., LTD.
8F Olympus Tower, 446 Bongeunsa-ro, Gangnam-gu, Seoul, 135-509 Korea